

INSTALLATION MANUAL
WINDOW FRAME V785 - SERENA

Required tools

- Drilling machine
- Metal drill
- Crosshead screwdriver
- Allen key set
- Tapeline
- Level
- Pencil
- Screwdriver
- Silicone kit (Acid Free)

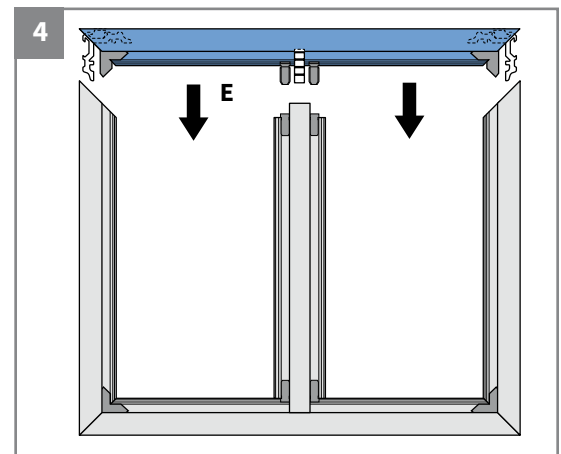
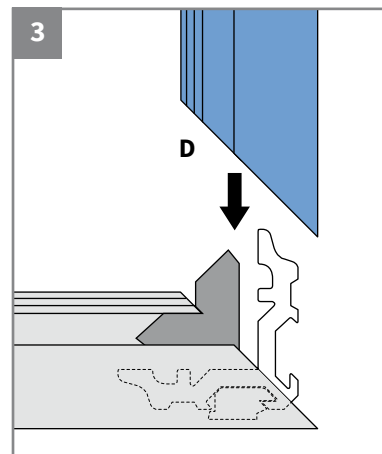
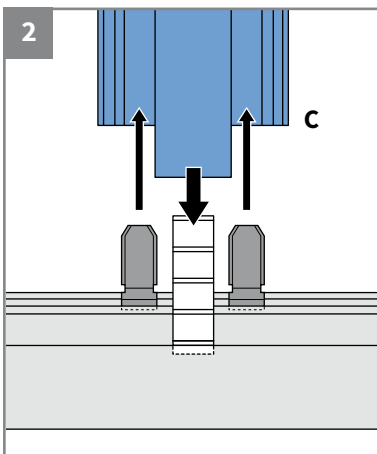
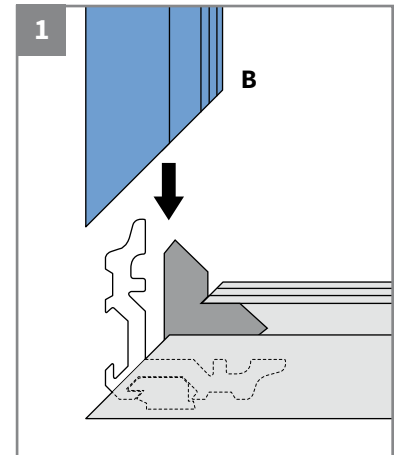
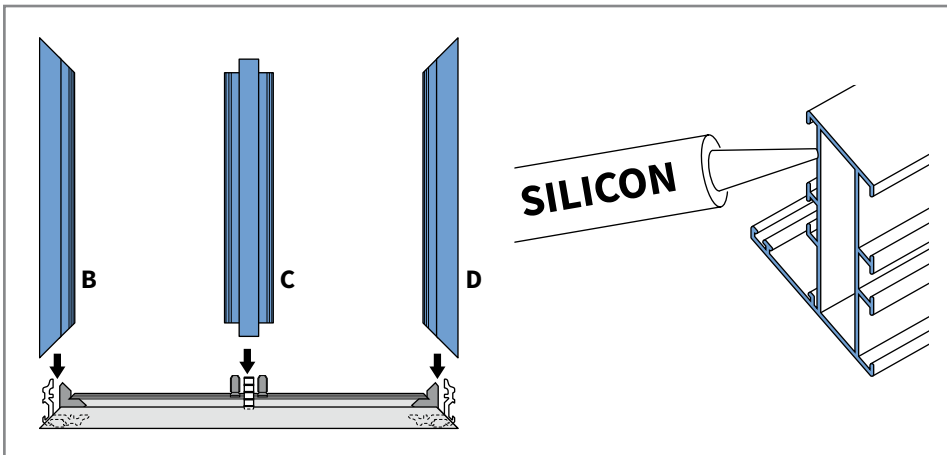
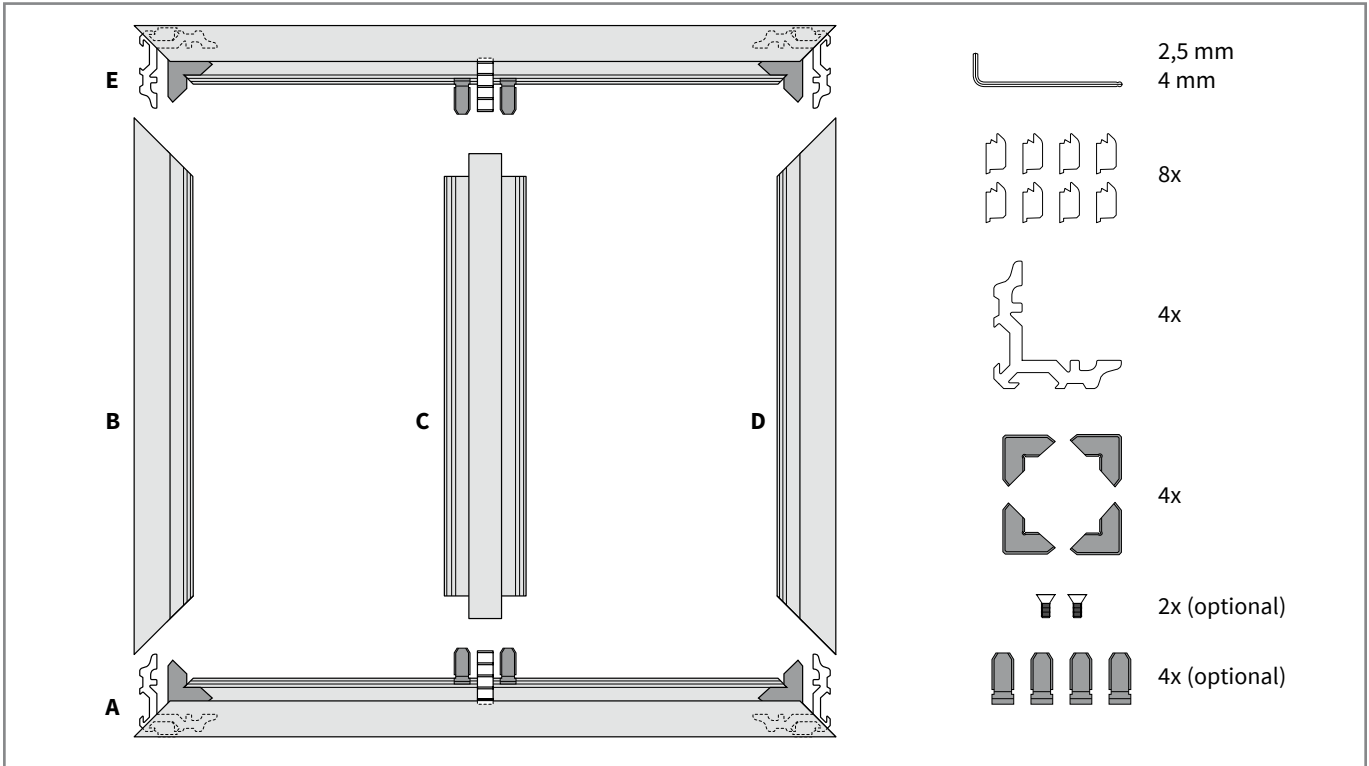
Important before mounting

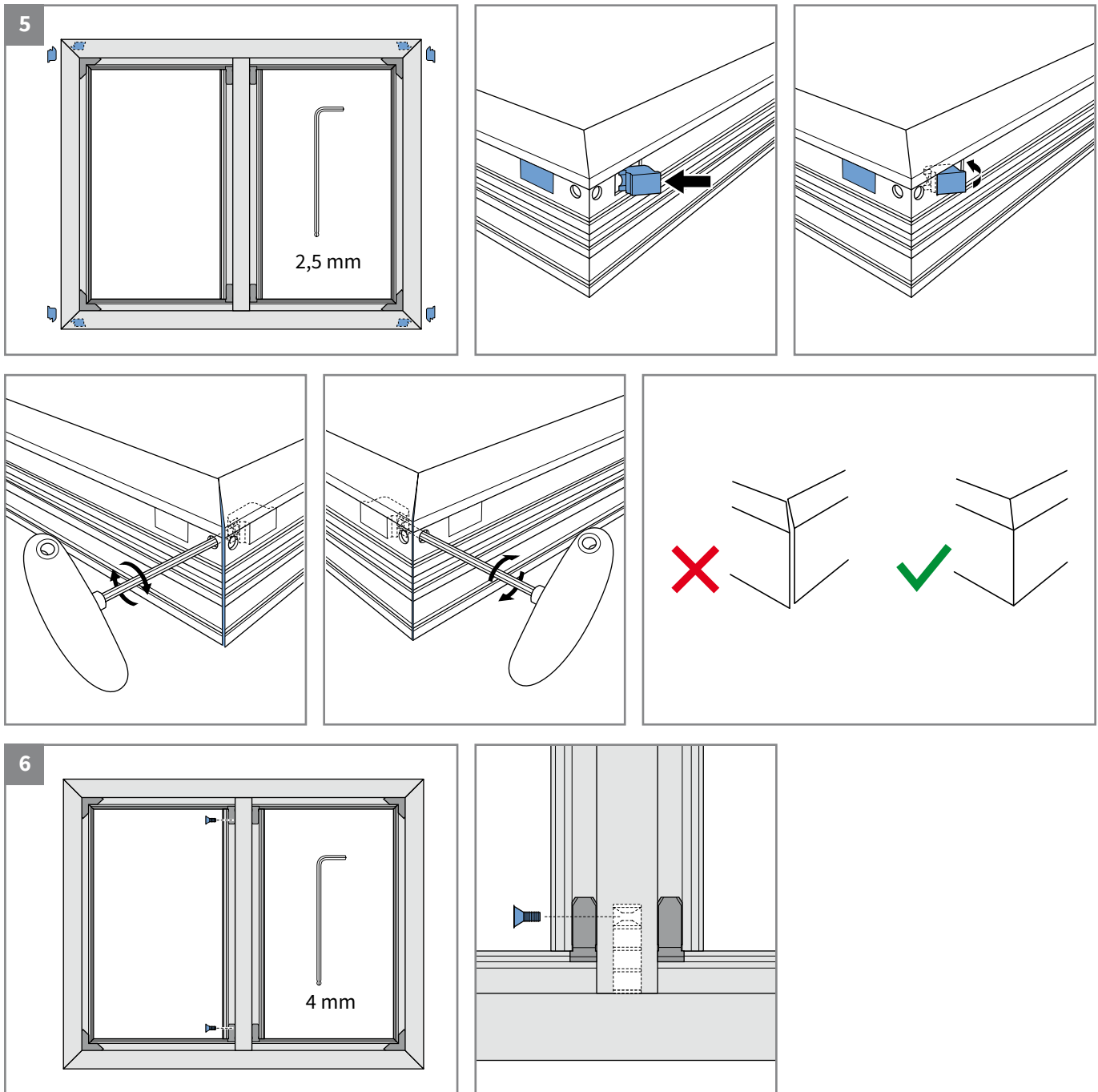
General warning

Mounting the Verano® product yourself is at your own risk. Only use this instruction as a tool and for the mounting of this specific Verano® product. If you cannot install the product yourself, you can always opt for professional mounting. The mounting team of Verano® is pleased to help you.

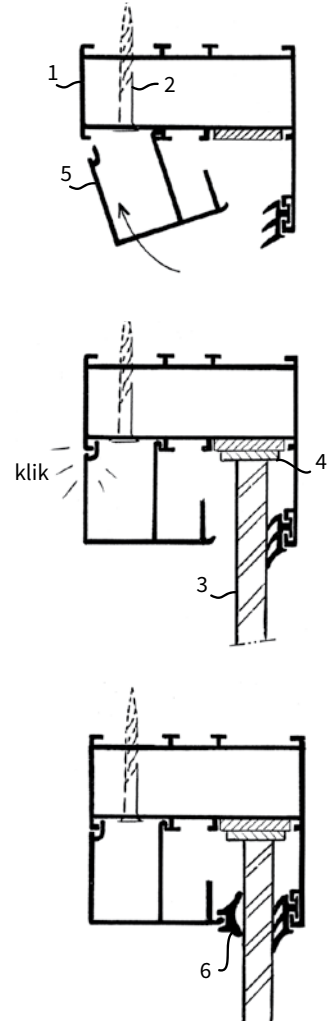
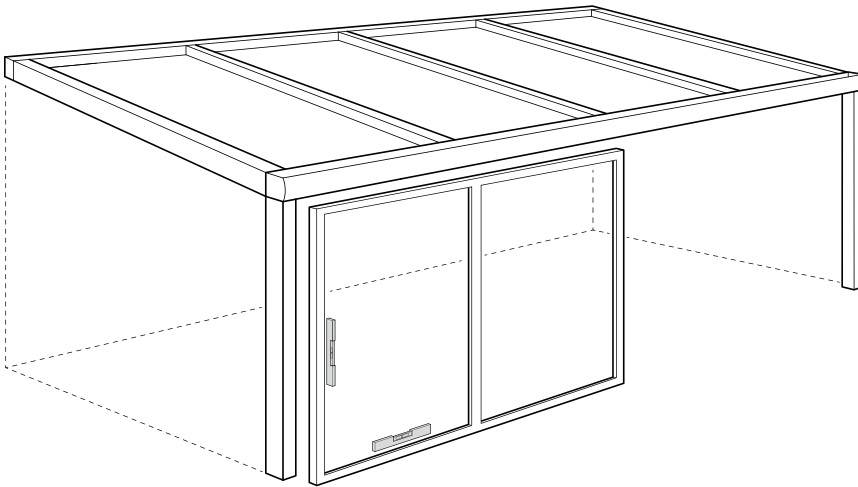
- Be careful for damages. Don't use a knife or any other sharp object when opening the packing. This may cause damage to the content of the assembly. Put the content of the assembly on a soft surface.
- Be careful when drilling, falling drill cuttings can cause damages.
- Clean, degrease and dry off the sides of the opening wherein the window frame will be installed.
- Remove all the dust, loose plaster and other unevenness for a perfect closure.

General - Mounting





Installation for veranda



1. Install the window frame.
2. Level mount on the surface. Which mounting material you use is depending on the surface.
3. Screw to pillar and optionally to the gutter 4,8 x 45 mm.

Attention: To prevent leakage in the gutter use washers and silicon for the drilling holes.

4. Install the filling or glass.
5. Align the filling using the filling plates .

Attention: The filling or glass needs a backlash of around 7 mm. The filling plates below make sure that the backlash of the filling or glass below and above on the left and right side are the same.

6. Install the glazing bars.
Sequence: first install above and below (click-in), than left and right.
7. Cut the rubber to length and apply.

